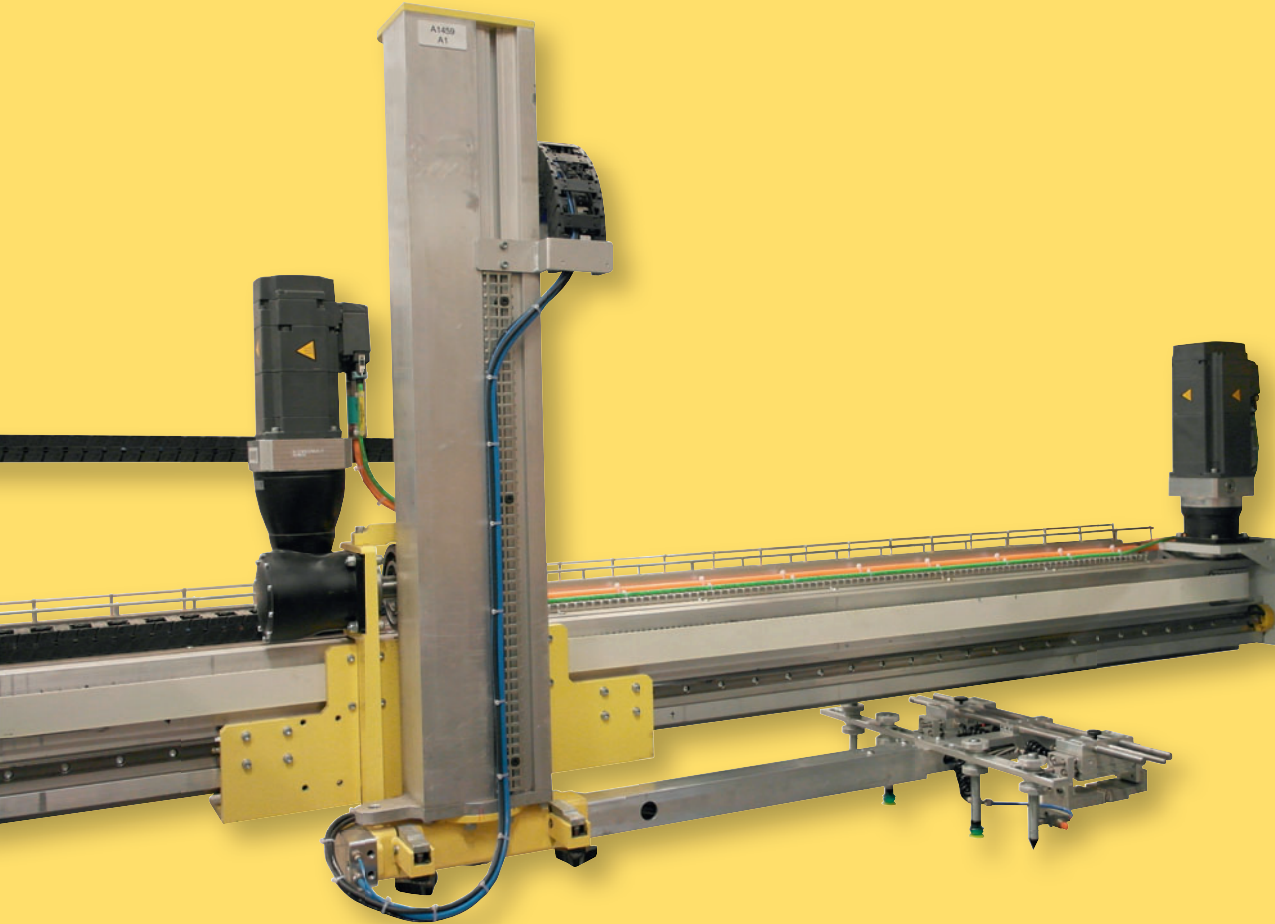


# ***Linear Feeder CD 20***



For fully automated blank picking in presses and press lines.

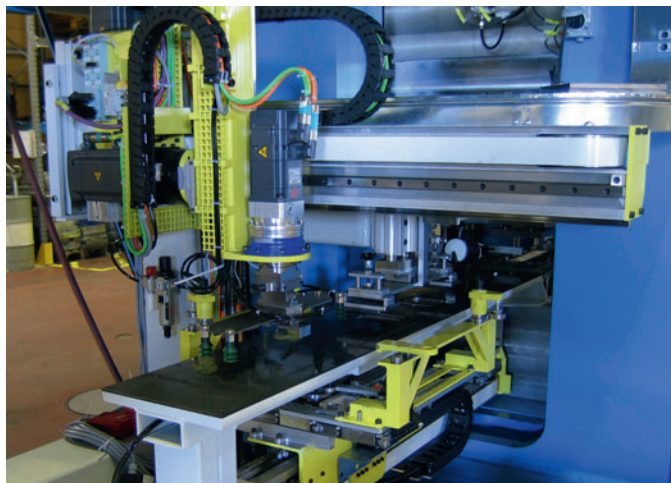
- Few component parts – ***easy to maintain***
- Installation right on the press – ***free floor space***
- Integrated vacuum system – ***offers quick and safe functionality in addition to low energy costs***

# Linear Feeder CD 20

CD 20 is a linear feeder used for fully automated blank picking in presses and press lines.

## The standard version includes:

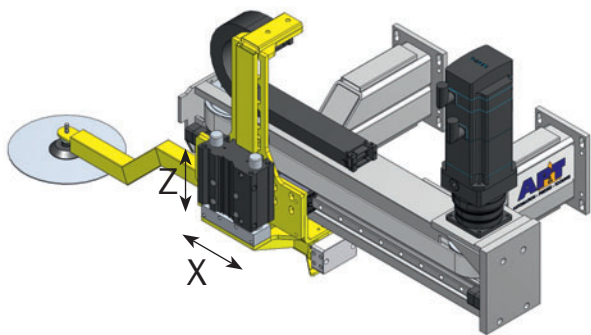
- Portable control panel for Teach-in with LOGOS software
- Integrated, energy-saving vacuum system with part control
- Modular control system with PROFINET I/O



CD 20 Rotary motion

## Options:

- Extra stroke length in X and Z
- Servo-driven rotary motion
- Auxiliary vacuum system



## CD 20 P

Type	Standard stroke length		Max. gripper length	Max. handled weight
	X	Z		
CD 20 P	1,300 mm <sup>1</sup> (51.2")	Pneumatic	500 mm (19.7")	20 kg (44.0 lbs)
CD 20 2A	1,300 mm <sup>1</sup> (51.2")	200 mm <sup>2</sup> (7.9")	500 mm (19.7")	20 kg (44.0 lbs)

<sup>1</sup> Max. stroke length X 6,000 mm (236.2"). <sup>2</sup> Max. stroke length Z 1,000 mm (39.4").